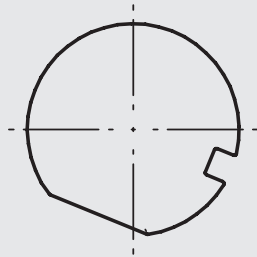


Receptacle 47.121.U303.80 for communication and sensor units with attached flat seal for standardised metal sheet cut-out



**Electromechanical interface for outdoor luminaires according to  $\Sigma$  Zhaga Book 18 to accommodate communication and sensor units**

Receptacle 47.121.U303.80 with assembled flat seal for standardised metal sheet cut-out  
4 pole

**Area of application:**

Street and area lighting (parking areas and footpaths)  
outdoor lighting  
wall lights

- IP-compliant connector and cap
- Compact design for flexible mounting position in luminaire housing
- Approved and certified according to VDE DIN EN 61984

**Modular system**

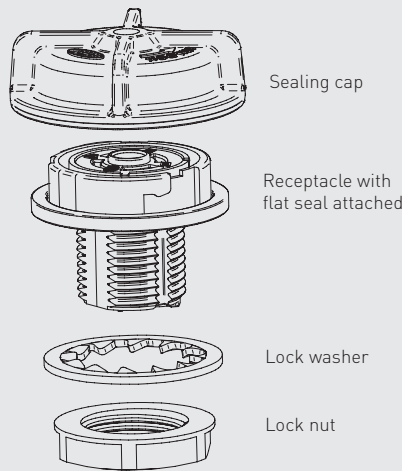
**Sealing cap: 47.121.-303.xx**  
Material: PBT

**Receptacle with attached flat seal: 47.121.U303.80**  
4 pole  
Material: Contacts: CuSn  
Housing: PBT / PC  
**Flat seal:** Material: MVQ (Silicone)

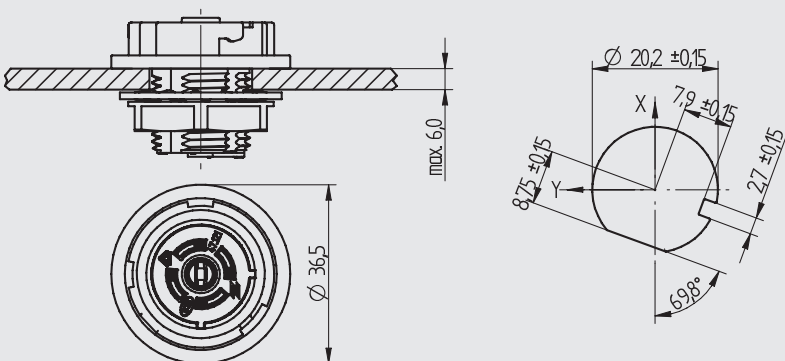
**Lock washer M20: 47.121.-702.14**  
Material: steel zinc plated

**Lock nut M20x1.5 mm: 47.121.-305.80**  
Material: PA

| Temperature data                 |                           |
|----------------------------------|---------------------------|
| Temperature range                | -40 °C up to 100°C        |
| Mechanical data                  |                           |
| Protection class                 | IP 66                     |
| Thread                           | M20 x 1.5 mm              |
| Thread length                    | 18.5 mm                   |
| IK-Impact strength grade         | IK09                      |
| Height above luminaire           | 10 mm                     |
| Luminaire housing thickness      | max. 6 mm                 |
| Tightening torque of the locknut | 1.8 - 2.4 Nm              |
| Electrical data                  |                           |
| Rated current                    | 2 A                       |
| Rated voltage                    | 24 V DC                   |
| Flexible tinned wire             | 0.5 - 1.5 mm <sup>2</sup> |
| Solid wire                       | 0.5 - 1.5 mm <sup>2</sup> |
| Strip length                     | 8 - 10.5 mm               |
| Insulation diameter              | max. 3 mm                 |
| Lead                             | 16 - 20 AWG               |



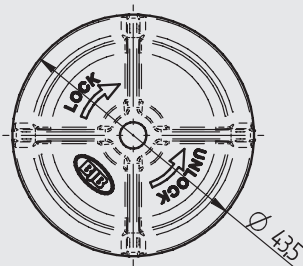
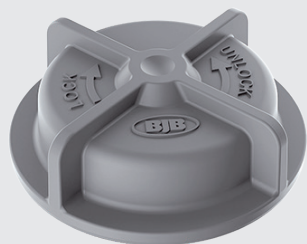
**Assembly dimensions and cut-out**



## LED - Lighting and connection technology

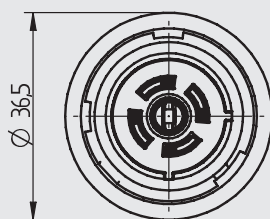
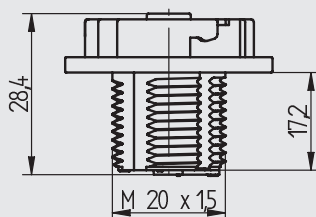
47.121

Receptacle 47.121.U303.80 for communication and sensor units with attached flat seal for standardised metal sheet cut-out



| pkg. | wt.   | part no.                  |
|------|-------|---------------------------|
| 200  | 7.8 g | 47.121.-303.80 black      |
| 200  | 7.8 g | 47.121.-303.90 dark gray  |
| 200  | 7.8 g | 47.121.-303.93 anthracite |

**Sealing cap**  
Material: PBT



| pkg. | wt.   | part no.       |
|------|-------|----------------|
| 200  | 9.6 g | 47.121.U303.80 |

**Receptacle with attached flat seal**  
**4 pole**

Material: Contacts: CuSn  
Housing: PBT / PC

Contact rating: 2 A, 24 V

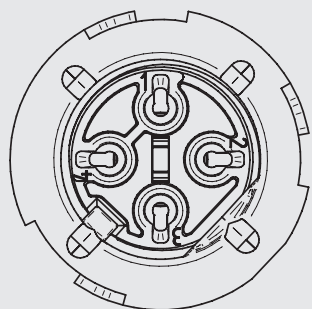
Hot pluggable

Wires: for rigid and flexible, tinned wire ends 0.5 - 1.5 mm<sup>2</sup>, 16 - 20 AWG

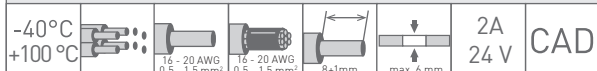
Strip length: 8 - 10.5 mm

Insulation diameter: max. 3 mm

**Flat seal:** Material: MVQ (Silicone)



| Marking wire entry | Function   |
|--------------------|--|
| 1                  | +24 V Power supply   |
| 2                  | Negative pole for [DALI] protocol<br>Ground for +24 V power supply (contact 1)<br>Ground for General Digital I/O (contact 4) |
| 3                  | Positive pole for [DALI] protokol  |
| 4                  | General Digital I/O (> 7V)   |



## LED - Lighting and connection technology

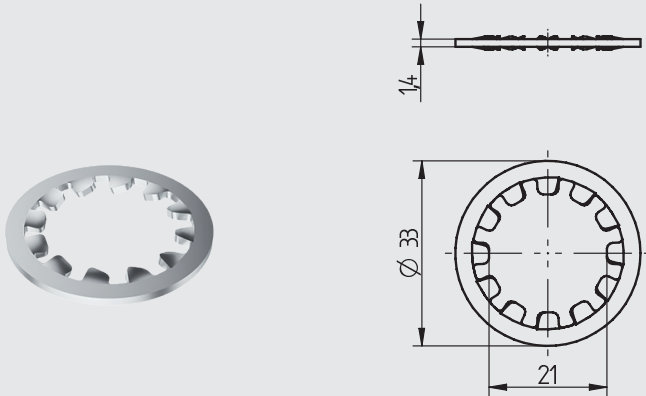
47.121

Receptacle **47.121.U303.80** for communication and sensor units with attached flat seal for standardised metal sheet cut-out



| pkg. | wt.   | part no.              |
|------|-------|-----------------------|
| 200  | 4.2 g | <b>47.121.-702.14</b> |

**Lock washer M20**  
Material: steel zinc plated



| pkg. | wt.   | part no.              |
|------|-------|-----------------------|
| 200  | 2.5 g | <b>47.121.-305.80</b> |

**Lock nut M20x1.5 mm**  
Material: PA

