

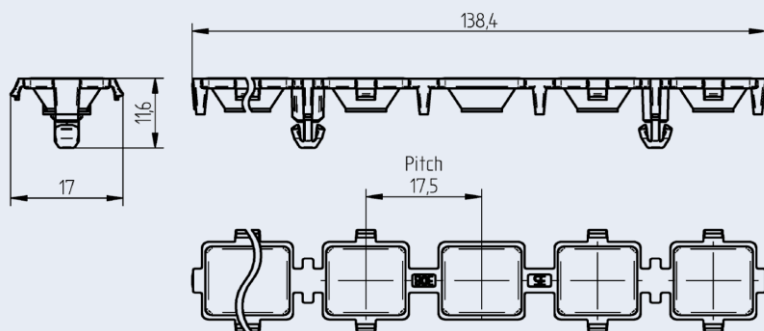
part no
35.308.A001-0

Pitch dependent linear Lens array - Narrow

- The 35.308 (1/2 ft) optics are designed for use with 35.316.A001 (louvre 1 ft).
- Optics and louvre are only available separately.

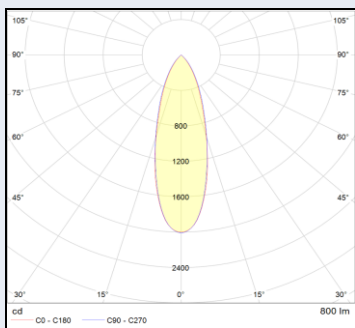
Technical details

- Centring and fixing of the circuit board by means of optics with snap-on pins.
- The distance to the circuit board is ensured by the spacers on the optics

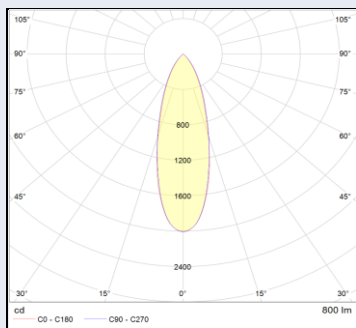


Specification	
Height	11,6 mm
Width	17 mm
Length	138,4 mm
Weight	5 g
Packaging	TBC
Pitch distance	17,5 mm
For LED dimensions	2835
Material	PC
Colour	clear
Operating temperatur	max. 110°

Light distribution: black louvre



Light distribution: white louvre



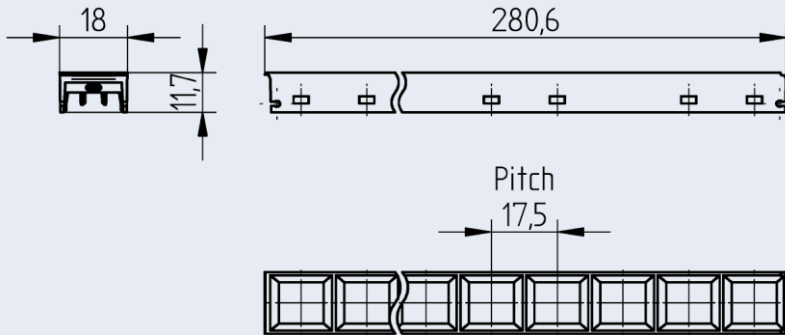
Photometric data	
Measured with LED Type	Samsung LM281B+Pro (4 pieces per lens)
Beam angle (FWHM)* (louvre black)	30° / 30°
Beam angle (FWHM)* (louvre white)	30° / 31°
Optical efficiency*	86% (louvre black)
Optical efficiency*	91% (louvre white)
UGR @ 800 lm, 1 foot (crosswise)*	≤ 16 (louvre black)
UGR @ 800 lm, 1 foot (crosswise)*	≤ 16 (louvre white)

*Light distribution, beam angle and efficiency are dependent on the LED in use.

35.316 Louvre

35.316 Louvre 1 ft

Preliminary



part no
35.316.A001-1 black
35.316.A001-0 white

Louvre - 1 ft

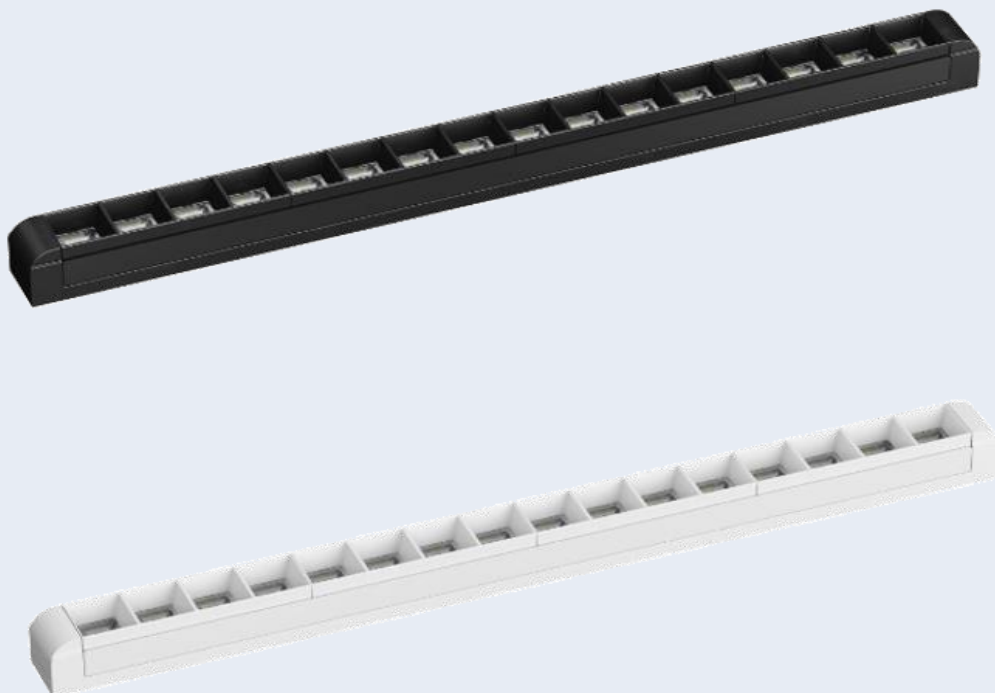
- For use with pitch dependent linear Lens array
- 35.308.A001-0 Narrow
- 35.308.A002-0 Wide
- Optics and louvre are only available separately

Technical details

- Centering and positioning pins for aligning the louvre
- Snap-in hooks for fixing louvre into the optics
- Seamless integration into the luminaire housing

Height	11,7 mm
Width	18 mm
Length	280,6 mm
Weight	15,2 g
Packaging	TBC
Type of fixing	Snap onto the optics
Pitch distance	17,5 mm
Material	PC
Colour	black or white
Operating temperatur	max. 110°

Design examples



35.316 Louvre

35.316 Louvre 1 ft - Sheet metall cutout

Preliminary



technology for light

Sheet metal cutout
t = 0,5 - 0,6 mm

