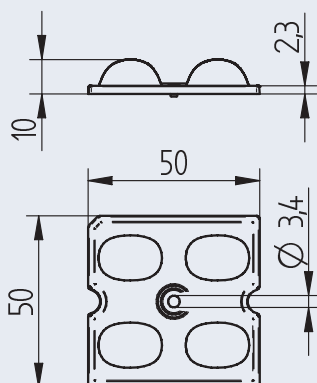
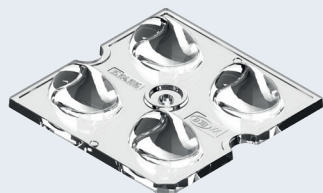


OptiSquare 2x2 - Oval

35.104 · 2x2 · Optics for Highbay- and area lighting



pkg. wt. part no.
120 9.4 g 35.104.1016.85

OptiSquare 2x2 - Oval
Optics for Highbay- and area lighting
for use with LED modules according to Zhaga Book 15

Light distribution: Oval

Material: PMMA (clear)
Screw fixing: for screws M3
Maximum torque: 0.5 Nm

Suitable for Philips Fortimo FastFlex LED 2x6 / 740 DA HE and LED modules with 25.4 mm pitch distance according to Zhaga Book 15

Typical application:

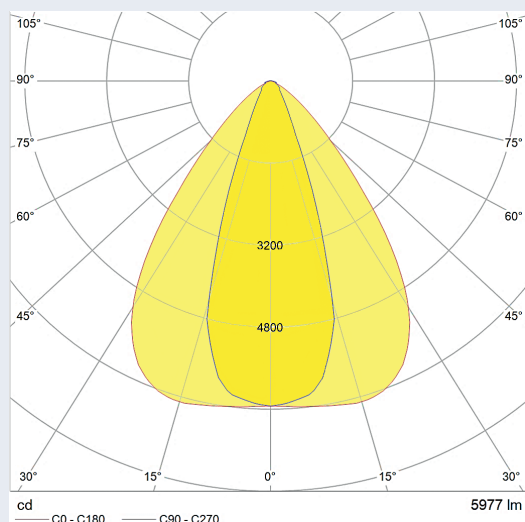
- Car parks and parking area lighting
- Perimeter of car parks and parking areas
- Industrial lighting such as high-bay warehouses, packaging and shipping halls, production halls

Height	10 mm
Width	50 mm
Length	50 mm
Type of fixing	Screw fixing: (0.5 Nm) screws M3
LED Typep	Philips Fortimo FastFlex LED 2x6 / 740 DA HE and LED modules with 25.4 mm pitch distance according to Zhaga Book 15
Pitch distance	25.4 mm
Material	PMMA
Colour	clear
Lens surface	High gloss
Permissible application temperature	-40 °C bis + 75 °C

The presented information are for reference only. All lighting parameters are typical values.
The light distribution depends on the used type of LEDs, position tolerance, chip size and used colour.

-40°C
+75°C

CAD



Light distribution: Oval
measured with Philips Fortimo FastFlex LED 2x6 / 740 DA HE

Efficiency: 96%